

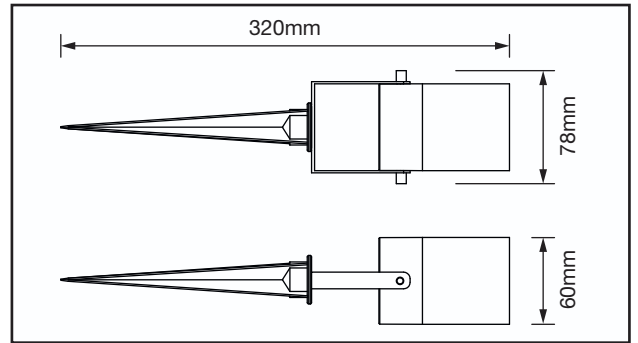
## ASPKGU10A/BK

GU10 Carbon Black IP65 Garden Wall/ Spike Light



### PRODUCT FEATURES

- Metal Gland Pre-Wired To 2.5m Of Toughened Rubber Cable
- Aluminium Body
- IP65 Rated
- GU10 Lamp Holder
- Interchangeable Coloured Glass Filters Available (Sold Separately)
- Detachable Spike For Surface Mounting
- Carbon Black Powder Coat Finish



### TECHNICAL SPECIFICATIONS

Product Code	ASPKGU10A/BK
Max Output Power (W)	35W (Halogen) / 7W (LED)
Class	I
Body Material	Aluminium
Frame Colour	Carbon Black
Ingress Protection	IP65
Ambient Operating Temperature (°C)	-20°C~45°C
Input Frequency (Hz)	50-60Hz
Guarantee	3 Years
Cable Length	2.5m

